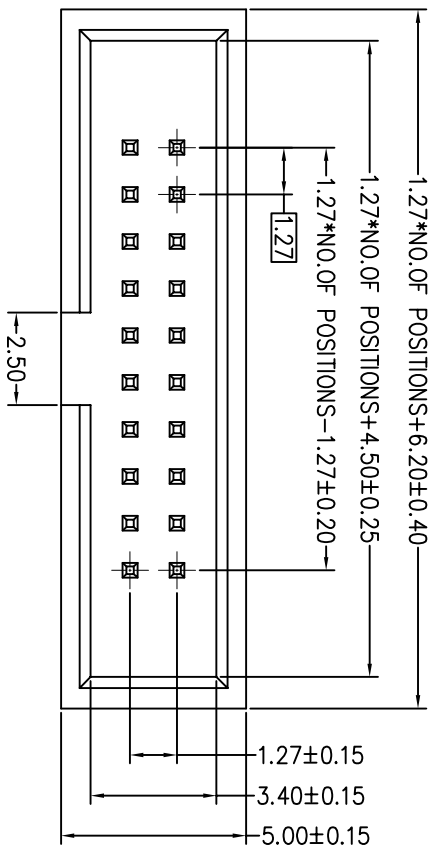


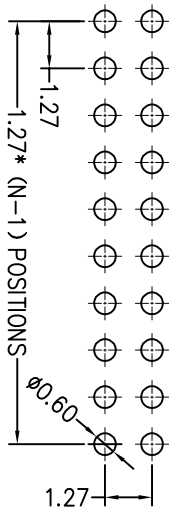
ROHS

NOTES:

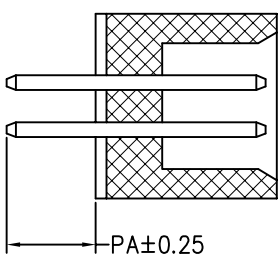
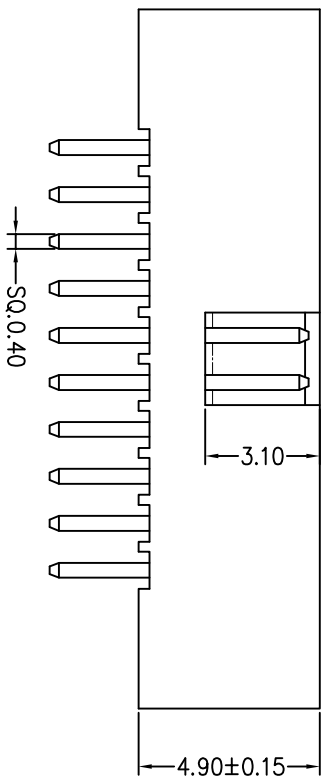
Voltage Rating: 100V,AC/DC
 Current Rating: 1.0 AMP,AC/DC
 Dielectric Withstand Voltage: 500V,AC/Minute
 Contact Resistance: 20 mΩ Max
 Insulation Resistance: 1000 mΩ Min
 Operation Temperature: -40°C to +105°C
 Insulator Material: Polyester(PA6T),UL94 V-0
 Contact Material: Brass
 Contact Plating: Au Plated on Nickel Overall



Dimension antitheses list	
item	PA
Standard	2.40
Alternate	---



Recommended P.C.B Layout
 P.C.B Board Tolerance±0.05



SHINHWA TECH CO., LTD

PART NUMBER

BHA5-XX-G1

TITLE

1.27 BOX HEADER ST H: 4.9

X.X	0.30	UNIT	MM	DRAWN BY	plngquon
X.XX	0.20	SCALE	FREE	CHECKED BY	
X.XXX	0.10	DATE	2021.08.12	核准 (APPROVE)	

A

B

C

D

E

F

G

5

4

3

2

1

5

4

3

2

1